

Installation Instructions for FIRE RATED Fire Extinguisher Cabinets

1) ROUGH OPENINGS - HEIGHT & WIDTH

- a) **Metal Stud Wall Installation:** Rough openings using metal studs should be 1/4" larger than the **outside** dimension of the cabinet tub unit.
- b) **Wood Stud Wall Installation:** Frame top, bottom & both sides of cabinet opening. Rough openings should be 1/4" larger than the **outside** dimension of the tub unit.
- c) **Concrete/Masonry Wall Installation:** Rough openings in poured concrete or masonry block should be 1/4" larger than the **outside** dimension of the cabinet tub unit.

CAUTION: Should a load bearing stud be cut to install the cabinet, insure that a load bearing header be reinstalled.

Rough openings must not be less than the manufacturer's recommended dimensions.

2) DETERMINE CENTRE LOCATION OF STUD

3) DRILLING HOLES

- Drill 3/16" holes at least every 12" through double sided wall construction and ends of cabinet, making sure to stay in center of studs.
- Remove cabinet and drill 5/32" (4mm) holes through studs/concrete/masonry at marked points, using appropriate bit.

Note: For concrete/masonry walls, ensure holes are 1/4" deeper than the end of the screw. Failure to leave 1/4" space at the end of the hole will result in screw breakage during installation.

4) CABINET PLACEMENT

Cabinet in framed opening must be centred and leveled top to bottom and side to side.

5) SECURING CABINET

- a) **Metal/Wood Stud Wall:** Using #10 x 2 1/2" self-tapping screws, place cabinet in position and fasten to wall assembly.
- b) **Concrete/Masonry Wall:** Place cabinet in position and attach with Hex Head 3/16" x 2 1/4" concrete screws.

- 6) If the cabinet door binds or does not sit flush, shim the tub and/or door frame assembly as necessary to ensure the tub is square and level.

Note: The installation of any fire-rated cabinet without a cabinet door, or any condition in which the door is left ajar, will void the fire rating.



Test No.
WHI-495-1534

The Williams Brothers Corporation

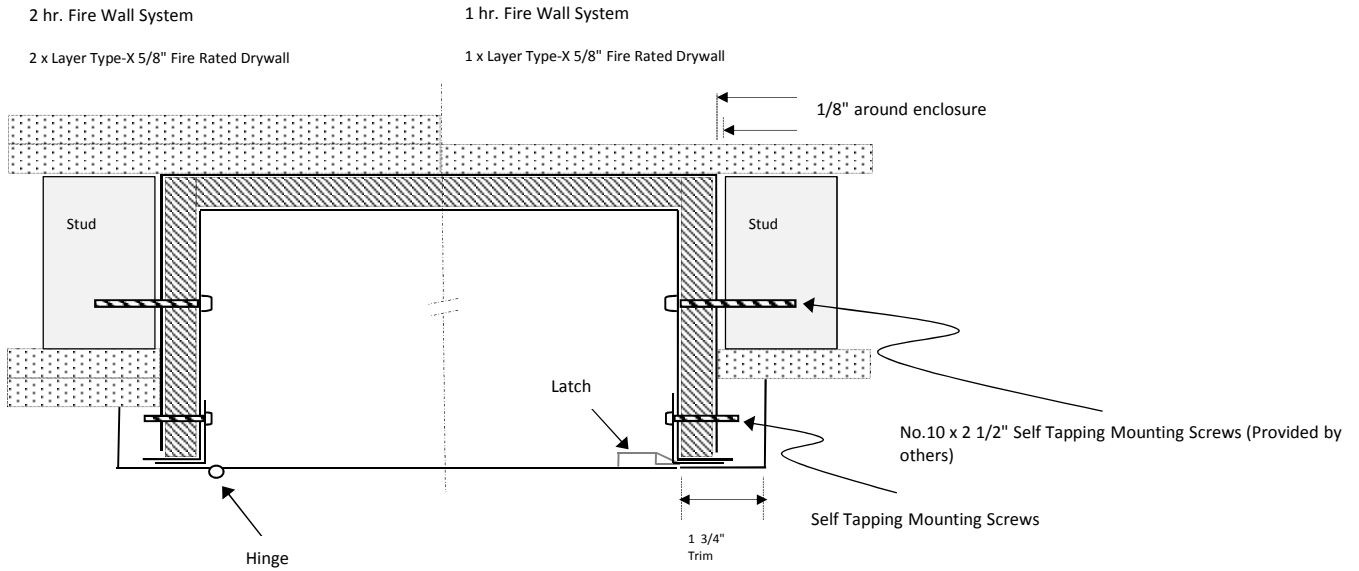
777 Tapscott Rd., Scarborough, Ontario, Canada M1X 1A2

Ph: 888-575-1132 Fax: 888-575-1134

info@williams-brothers.com www.williams-brothers.com



METAL / WOOD STUD WALL ASSEMBLY



CONCRETE / MASONRY WALL ASSEMBLY

