

WB-ATR Fire Resistive Ceiling Access Door



REPRESENTED BY _____

DETAIL & SUBMITTAL SHEET

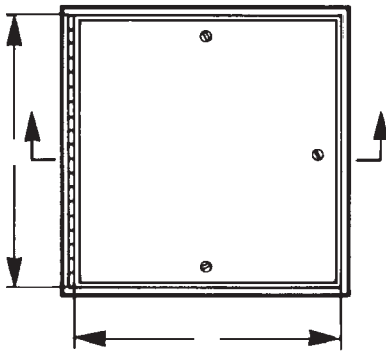
Project:

Specification Reference:

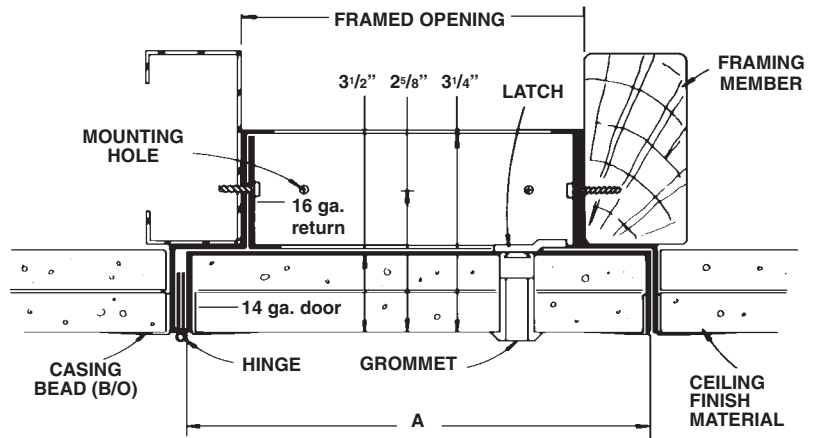
Contractor:

Architect:

Date:



ELEVATION



SECTION DETAIL

CONSTRUCTION FEATURES:

Door: 16 ga. steel recessed 1-1/2".

Frame: 16 ga. steel, hat channel type shape.

Hinge: Full length piano hinge allowing 180° opening and placed on long side of door unless otherwise requested.

Latch: Screwdriver operated, flush stainless steel cam positioned on door opposite hinge.

Finish: Electrostatically applied, white baked enamel over rust inhibiting phosphate treated steel. This coating may be used as a finished coat.

Options: (AT EXTRA COST)

- Key operated medium barrel cylinder lock (key code 151)

Each door comes complete with grommets.

A	B	Door Size	Ceiling Opening	Hinges	Cam Latch	Shipping Wt. (Lbs.)
12"	12"	10 ³ / ₄ "x10 ³ / ₄ "	10 ³ / ₄ "x10 ³ / ₄ "	1	1	7
18"	18"	16 ³ / ₄ "x16 ³ / ₄ "	16 ³ / ₄ "x16 ³ / ₄ "	1	1	13
24"	24"	22 ³ / ₄ "x22 ³ / ₄ "	22 ³ / ₄ "x22 ³ / ₄ "	1	3	23



**THE WILLIAMS
BROTHERS
CORPORATION**

Corporate Office:
777 Tapscott Rd.
Scarborough, Ontario
M1X 1A2

Phone: (416) 299-7767
Fax: (416) 299-8039
Toll free tel.: 1-888-575-1132
Toll free fax: 1-888-575-1134

www.williams-brothers.com
sales@williams-brothers.com